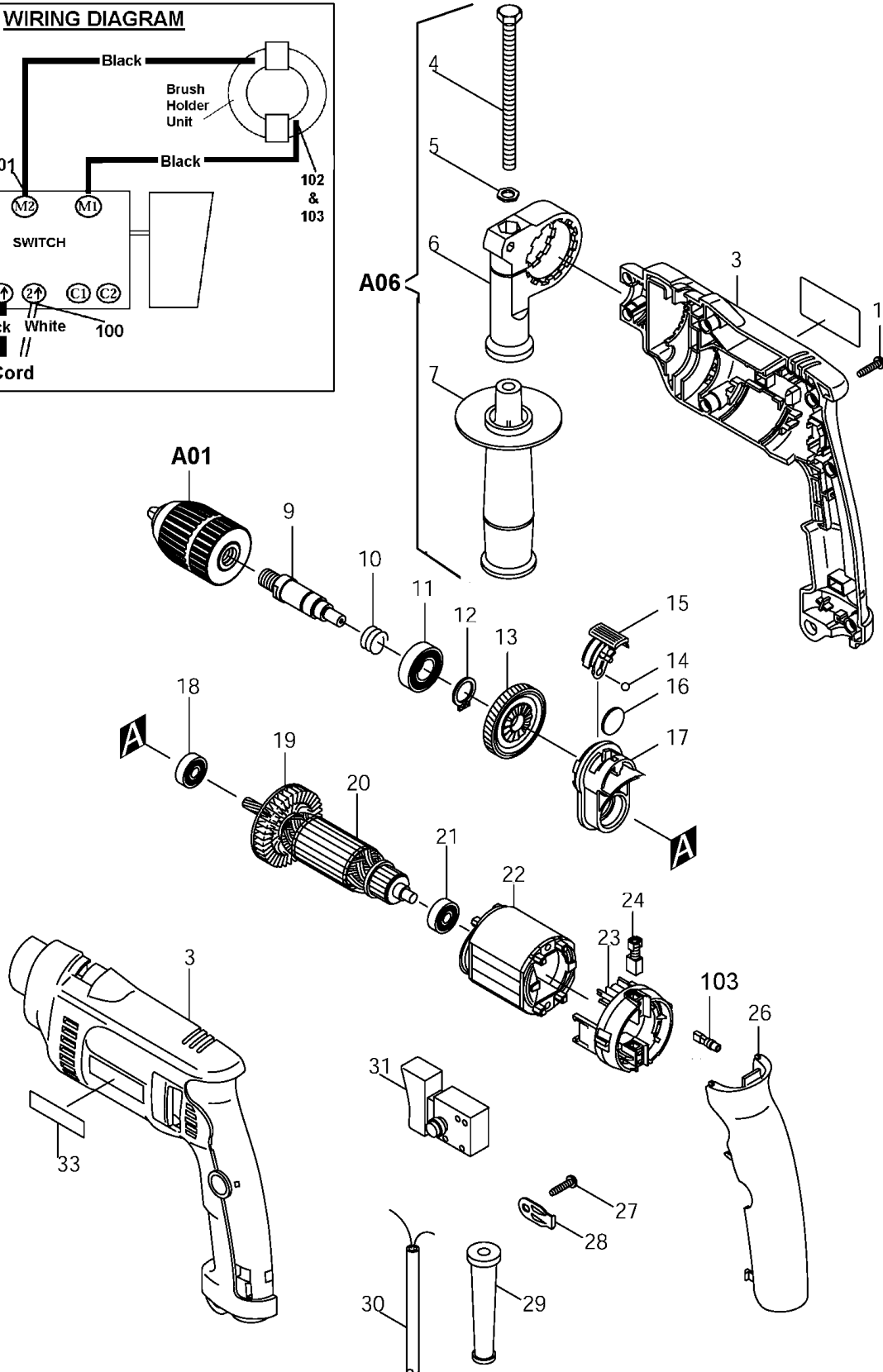
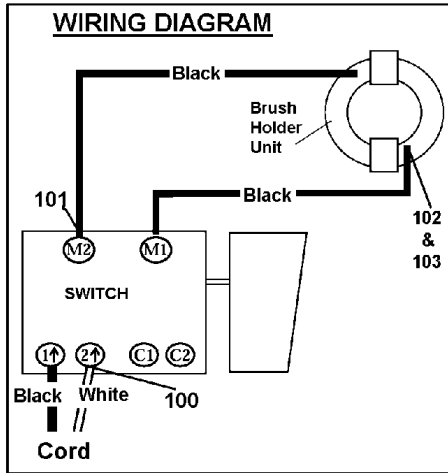
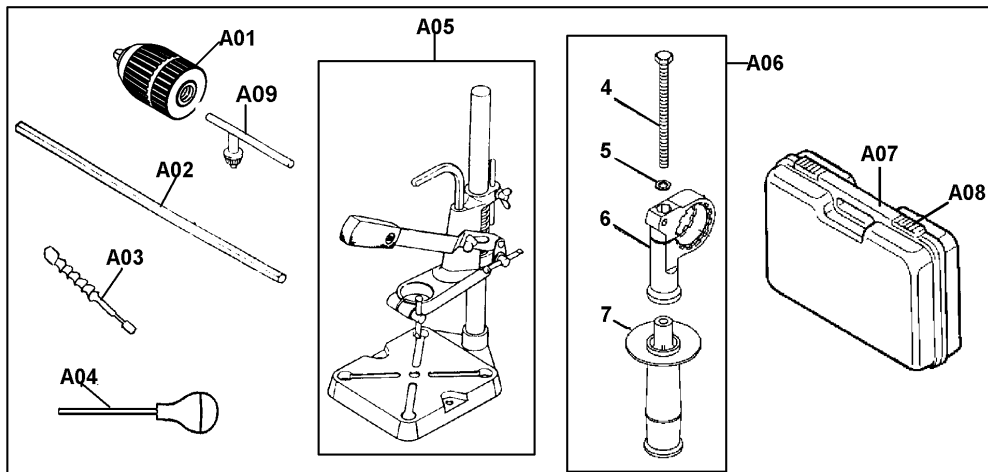




1/2" HAMMER DRILL
1/2" HAMMER DRILL

Model HP1620X (MME)
Model HP1621K (MME)





Item No.	Part No.	No. Used	Description	Item No.	Part No.	No. Used	Description
1	265995-6	7	Tapping Screw 4X18	29	682502-4	1	Cord Guard 8-85 (HP1621)
3	183711-3	1	Housing Set (Includes 345399-9 - Plate & Item 33)		682549-8	1	Cord Guard 8-85 (HP1620)
4	921923-8	1	Hex Bolt M8X120	30	664013-1	1	Cord With Plug 2P-18-2.5M
5	345280-4	1	Hex Washer	31	650543-8	1	Switch
6	417630-4	1	Grip Base	33	819063-3	1	Makita Label
7	152521-9	1	Grip 36 Com.	100	654556-1	2	Connector
9	324397-6	1	Spindle	101	654593-5	2	Splice
10	233389-3	1	Compression Spring 15	102	654025-2	2	Receptalce FS2.8B-1.25-5
11	211201-7	1	Ball Bearing 6002LLB	103	686038-5	2	Receptacle Sleeve
12	961055-9	1	Retaining Ring S-15	Accessories			
13	226579-5	1	Helical Gear 45	A01	192692-0	1	½" Keyless Drill Chuck (HP1621)
14	216018-3	1	Steel Ball 5.0		192541-1	1	½" Drill Chuck (HP1620)
15	418319-7	1	Change Lever	A02	324219-0	1	Depth Gauge
16	345354-1	1	Plate	A03	- - - - -	1	Bit (See Catalogue for Details)
17	153831-7	1	Cam Holder Com.	A04	765009-6	1	Blow-Out Bulb
18	210023-2	1	Ball Bearing 627DDW	A05	122190-0	1	Drill Stand Type 43
19	240067-8	1	Fan 55	A06	134943-5	1	Grip Assy (Includes Items 4 - 7)
20	517456-5	1	Armature Assy (Includes Items 18, 19 & 21)	A07	182992-6	1	Plastic Carrying Case (Includes Items A08) (Type 1)
21	211028-5	1	Ball Bearing 627LB (Old 210023-2 627DDW)		824724-2	1	Plastic Carrying Case (Includes Items A08) (Type 2)
22	633566-1	1	Field	A08	183091-7	2	Slide Latch (2pcs/Set)
23	638237-5	1	Brush Holder Unit	A09	763440-0	1	Chuck Key S13 (HP1620)
24	191927-6	2	Carbon Brush CB-407 (2pcs/Set)				
26	418320-2	1	Handle Cover				
27	265995-6	1	Tapping Screw 4X18				
28	687169-3	1	Strain Relief				

REPAIR TOOLS

- 1R139 - Drill Chuck Extractor
- 1R223 - Torque Wrench Shaft
- 1R298 - Hex Bar 10 W/Square Socket
- 1R165 - Ring Spring Setting Tool B
- 1R232 - Pipe 30
- 1R282 - Round Bar F/Arbor 8-50
- 1R224 - Ratchet Head 12.7mm
- 1R266 - Spring Pin Extractor 2
- 1R291 - Retaining Ring (F/S&R) Pliers
- 1R045 - Gear Extractor(Large)
- 1R269 - Bearing Extractor
- 781024-2 - Wrench 43
- 042017-7A - Makita Grease N. No. 1(100g,3.5oz)

2 Model HP1620X
2 Model HP1621K